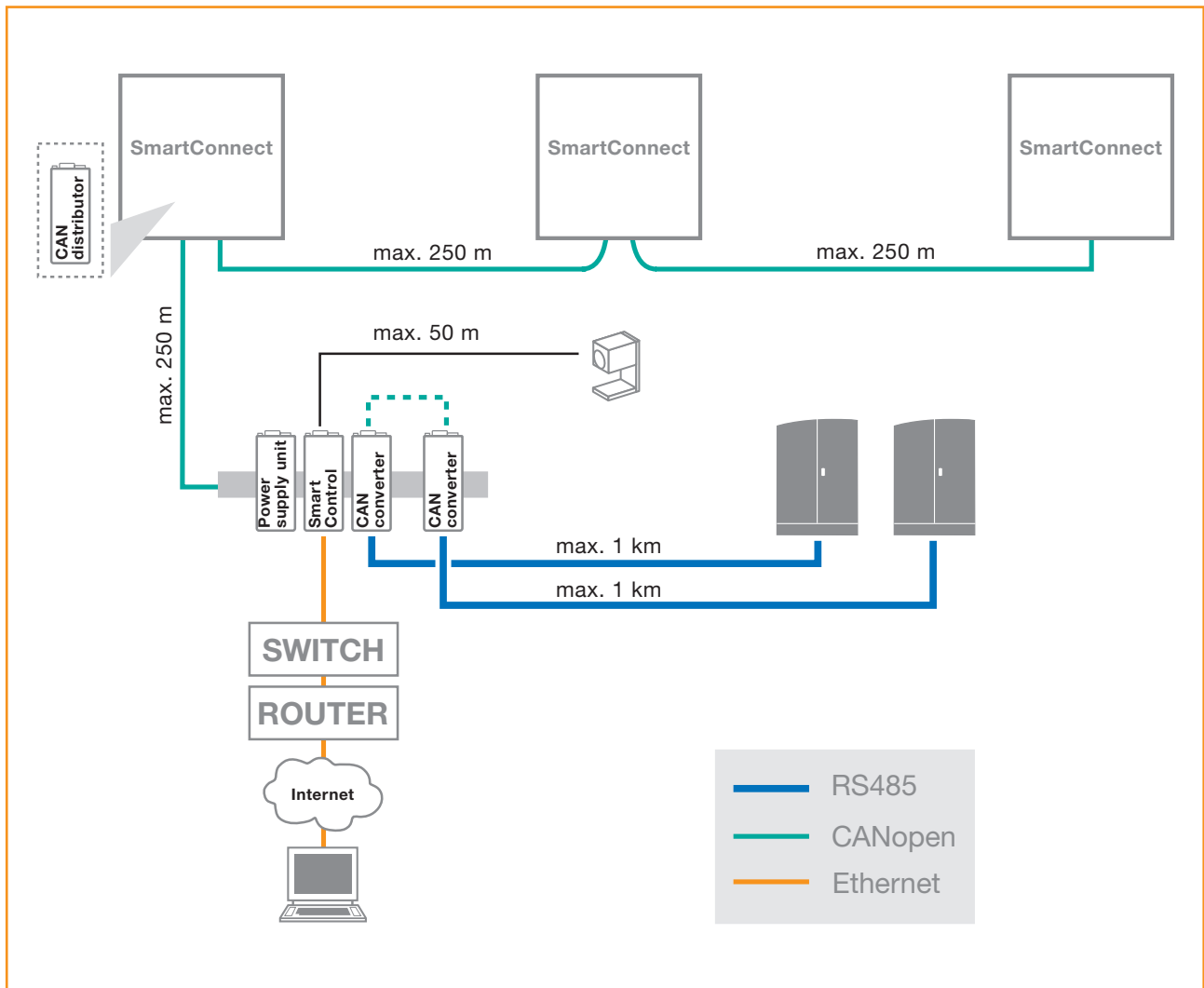




CONERGY

Monitoring in large systems



PHOTOVOLTAICS

Monitoring in large systems-TD-ENG-0705

Designation	Navision Code	Remarks
CAN converter	63-107-026	1 per central inverter
CAN distributor	63-107-027	1 per Conergy SmartConnect
Conergy SmartControl Kit Germany, Spain	63-109-014	1 for max. 2 central inverters
Conergy SmartControl Kit France, Italy, Greece	63-109-031	1 for max. 2 central inverters
CAN Kabel, burial type	63-106-015	
Conergy SmartConnect	63-107-023	max. 30 per Conergy SmartControl